

## HYDRAULIC DRUM LIFTER / TILTER ELECTRIC DRUM LIFTER / TILTER (Battery Operated)

### HYDRAULIC DRUM LIFTER / TILTER

Model : HDL-30  
Capacity : 300 Kgs.



'Jay' Hydraulic Drum Lifter / Tilter are available in Manual & Electro-Hydraulic systems.

HDL-30 / EHDL-50' are very useful in loading / unloading & emptying drums in industries like engineering, pharmaceuticals, chemicals, fertilisers, stores & warehouses etc., It is an essential equipment where drums are being handled regularly.

- ◆ Drum clamping is manual with toggle clamp.
- ◆ HDL-30 the tilting of drum is with hand lever operated geared mechanism.



Drum Toggle Clamp



Easy & Precise Maneuverable steering handle

### ELECTRIC DRUM LIFTER / TILTER (Battery Operated)

Model : EHDL-30  
Capacity : 300 Kgs.

The equipment can lift standard (210 ltrs) metal drums & can rotate it in 360 degrees, as well as it can be stopped in any angle to empty the contents.



- ◆ EHDL-30 the tilting of drum is with motorised geared mechanism.



EHDL-50 motorised drum tilting mechanism



HDPE drum attachment

### Mast & Carriage Assembly

The masts are made from prime quality steel profiles. The inner mast & carriage assembly are fitted with sealed ball bearing rollers side thrust rollers to prevent lateral play.

### Hydraulic System

**HDL-30** carriage is raised or lowered by hydraulic hand pump with a lift of 15mm per stroke, and the pump is with inbuilt screw type release valve which facilitates smooth and stepless lowering of carriage.

**EHDL-30** carriage is raised or lowered by push button controls. The Electro-Hydraulic power pack unit is with built in pressure relief valve to prevent overloads. The lowering speed of carriage is controlled by flow control valve.

### Hydraulic Cylinder

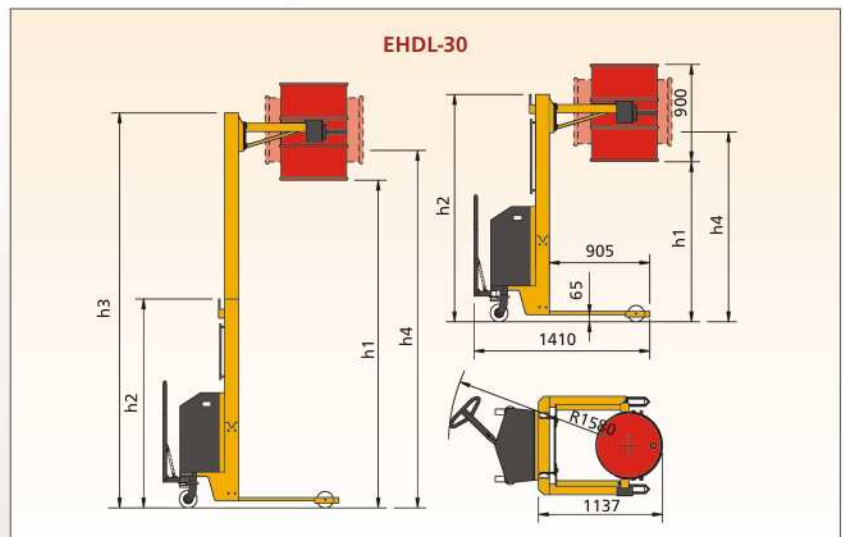
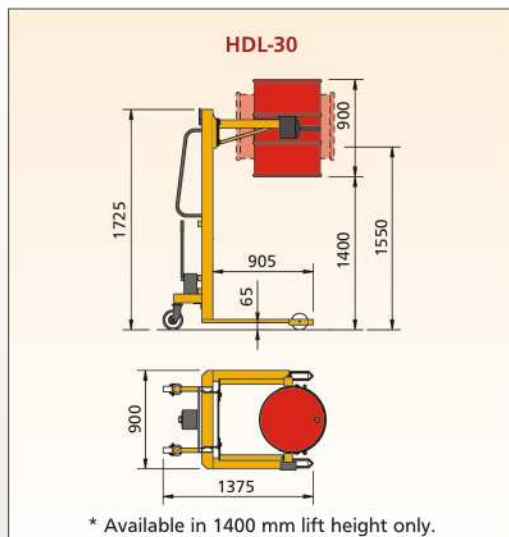
Made from seamless tube & hard chrome plated piston rod. All materials & hardware items confirms ISI specification.

### Technical Specification (HDL-30 / EHDL-30)

Lift (h1) (mm)	Mast Lowered (h2) (mm)	Mast Extended (h3) (mm)	Tilt Ht. (h4) (mm)
1400	1725	—	1550
2350	1875	3060	2500
3000	2200	3710	3150

**EHDL-30**  
**A.C. Power Pack Unit :**  
 Motor : Lifting Operation : 1 H.P. 3 phase 415/430 volts  
 Tilting Operation : Manual geared mechanism  
 Controls : Push button control for lifting & lowering operation.  
 ♦ All hydraulic components are of reputed brand.

SPEED	EHDL-50
<b>Lifting Speed (m/sec.)</b>	
Unladen	0.17
Laden	0.12
<b>Lowering Speed (m/sec.)</b>	
Unladen	0.19
Laden	0.25
<b>Wheels : All Nylon</b> Support Wheel : 180 x 50 mm Load Wheel : 150 x 50 mm	
<b>Paint Finish : Golden Yellow &amp; Black shade.</b>	



\* We reserve the rights to change design due to continuous product improvement process.



## Jay Equipment & Systems Pvt. Ltd.

Plot No. 47, S.No. 66/1, Satali Road, Valiv Phata,  
 Vasai [E], Dist. Thane - 401208, India.  
 Tel. : 6454749 / 6586749 / 2481806 • Telefax : (91-250) 2481807  
 E-mail : sales@jayequipment.com • Website : www.jayequipment.com

Mfgs. Of : IN-PLANT MATERIAL HANDLING EQUIPMENTS & STORAGE SYSTEMS

Authorised Dealer :

